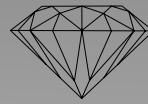


# GUHRING



PCD/CBN TECHNOLOGY



## ACCURATE AND QUICK

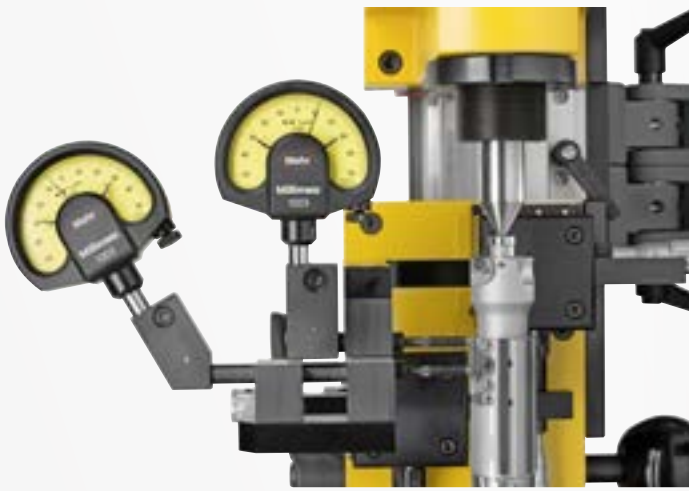
Radial and axial setting of  
guide pad tools with only one device

## EV-800 vertical pre-setter

GÜHRING - YOUR WORLD-WIDE PARTNER

# EV 800

## Vertical pre-setter for tools with guide pads



### **RADIAL**

#### cutting edge setting

Through relative measurement EV-800 enables the  $\mu\text{m}$ -accurate setting of the cutting edges via the guide pad diameter. A second dial gauge permits the individual adaption of the cutting edge taper. The measuring probes are flexible and can be adjusted for any cutting edge length.

# EINSTELLVORRICHTUNG



### **AXIAL**

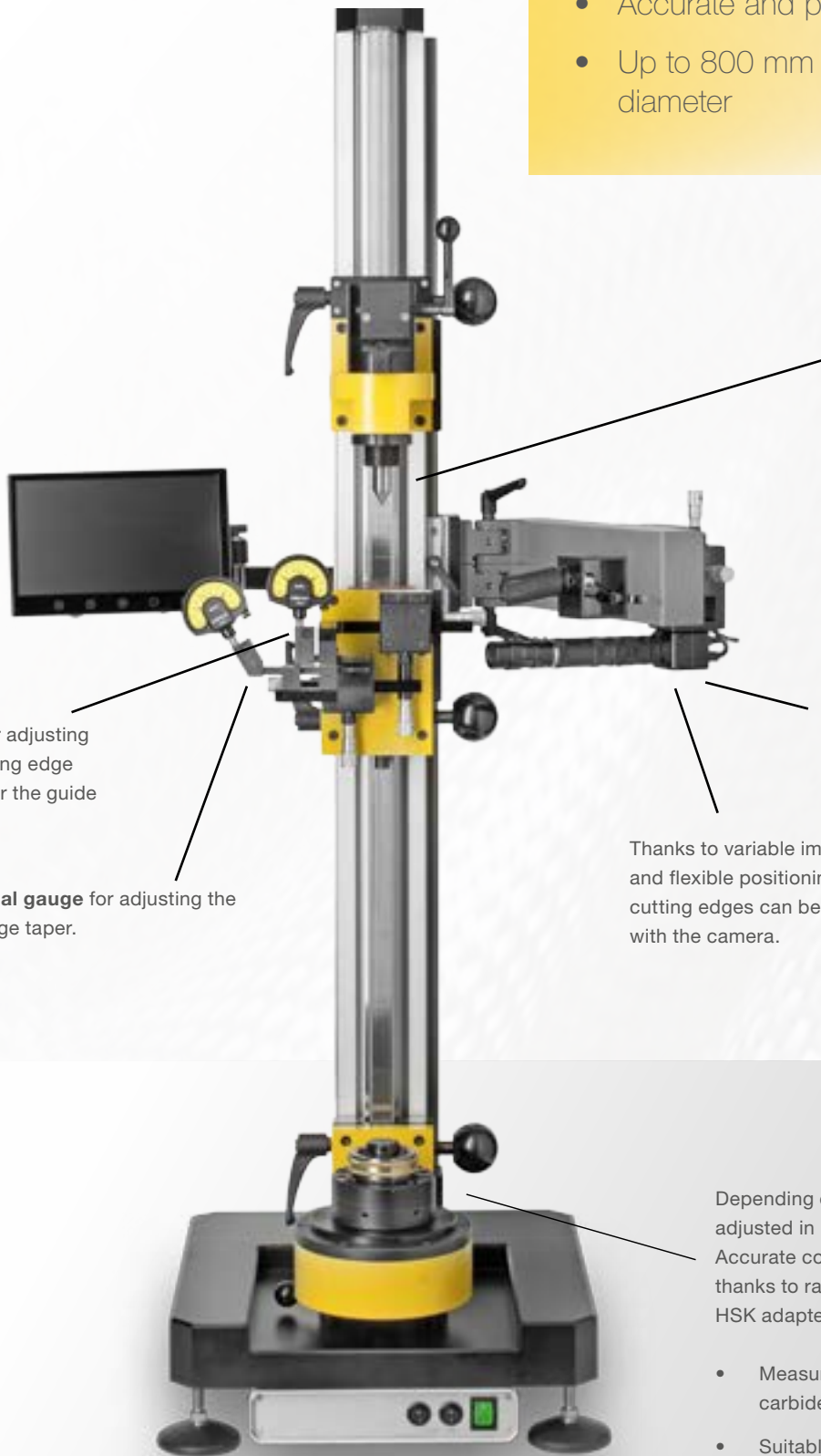
#### cutting edge setting

The axial cutting edge protrusion can be accurately adjusted with an optical relative measurement (full HD camera & cross hairs). The guide pads of the tool serve as a reference. Via them the cutting edge advance is adjusted via the guide pad chamfer.

- Full HD camera (12V) with blend-in cross hairs
- 9" full HD display (12V)
- LED illumination

# EV 800

- Radial and axial setting with one device
- Accurate and process reliable setting
- Up to 800 mm tool length and 130 mm tool diameter



MK2 tailstock in sprung sleeve for stabilising and correcting of run-out errors.

**Full HD camera** (12V) with blend-in cross hairs for the axial setting of the cutting edges.

Thanks to variable image magnification and flexible positioning the tool and the cutting edges can be visually checked with the camera.

**dial gauge** for adjusting the radial cutting edge protrusion over the guide pads.

**second dial gauge** for adjusting the cutting edge taper.

Depending on the requirement, tools can be adjusted in HSK holders or between centres. Accurate concentricity of the spindle is guaranteed thanks to radial and axial alignment of the various HSK adapters with a mandrel.

- Measurement between points with solid carbide point in HSK holder
- Suitable for holders in HSK sizes 32, 40, 63, 80 and 100

DRILLING

TAPPING/  
THREAD MILLING/  
FLUTELESS TAPPING

MILLING

REAMING

PCD



SPECIAL  
SOLUTIONS

COUNTERSINKING

MODULAR SYSTEMS

SERVICES

# GUHRING

## Guhring KG

P.O. Box 100247 • 72423 Albstadt  
Herderstraße 50-54 • 72458 Albstadt

Tel. +49 74 31 17-0  
Fax +49 74 31 17-21279

info@guehring.de  
www.guehring.de

No liability can be accepted for printing errors or technical changes of any kind.  
Our Conditions of Sale and Terms of Payment apply. Available on request.