

# GUHRING

CONCENTRICITY –  
PERFECT CHAMFER



**GE 100**

FLOATING HOLDER

## ALL IS WELL THAT ENDS WELL!

The exceptional Guhring GE 100 floating holders are the perfect solution for machining the ends of un-round pipes.

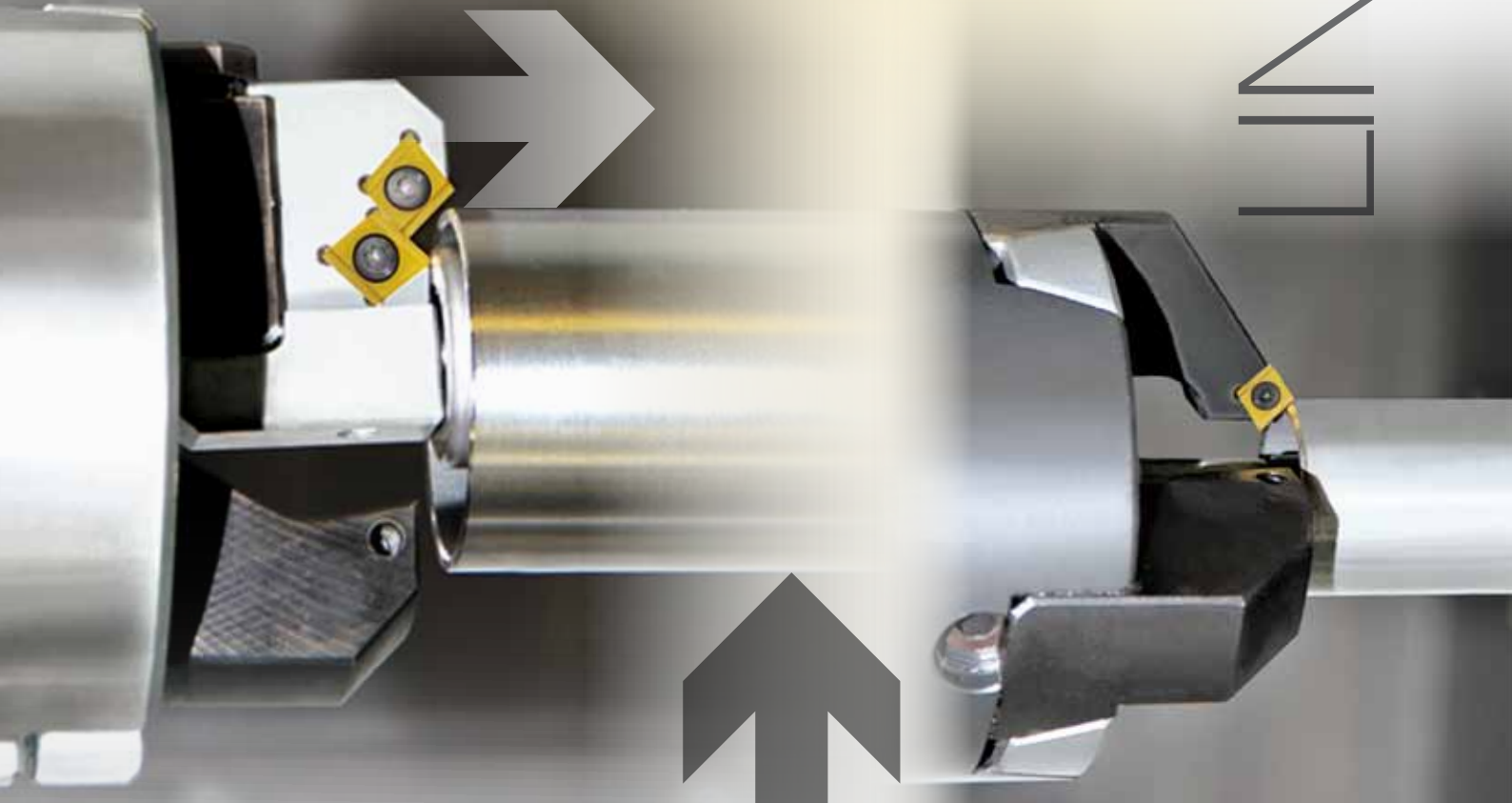
Facing, internal and external chamfering in one operation. The Guhring developed sprung floating holders allow you to achieve smooth and clean chamfers even with very oval pipes.

### Floating holder advantages:

- Compensates for out-of-roundness and pipe wall thickness differences
- Consistently even chamfer width especially with small chamfers
- Compensates inaccuracies of the rotation axis to the clamping axis
- Combines several operations into one
- Increased floating travel
- Suitable for extremely thin pipes
- Suitable for use on any machine thanks to the range of adaptors

CONCENTRICITY

LINEAR

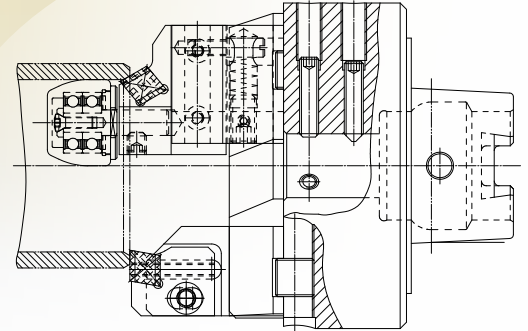




## THE **FLOATING** HOLDER

The brand new sprung floating holders are well suited for a large pendulum stroke and are very easy to adjust. The new guide prevents the pendulum from being pushed away and subsequently guarantees a constant chamfer angle.

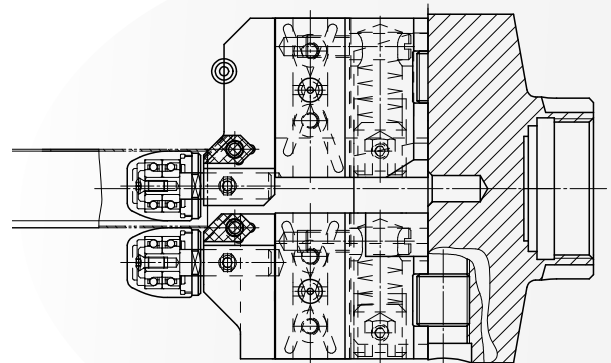
The floating holders are currently available as special tools.



*sprung floating holder*

## THE **EXTERNAL AND INTERNAL** FLOATING HOLDER

For extremely thin-walled pipes and small chamfers – there is the newly developed external and internal floating holder. Pipes with  $\text{Ø } 18 \times 1$  and chamfers max.  $0.05 \times 45^\circ$  are not a problem.

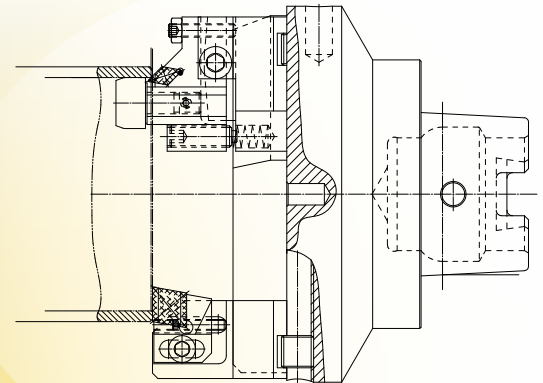


*sprung floating holder*

## THE **CLASSIC** FLOATING HOLDER

The classic floating holders are designed to be rotatable via a bolt and suitable for internal chamfering from an internal pipe diameter of 14 mm.

They can be ordered via the standard GE 100 range.



*floating holder rotatable via bolt*

All floating holders are clamped on GE 100 tool heads. These permit the application on all standard machine adaptors, also on all rapid change systems.



# GUHRING

## **Guehring oHG**

Schelmleite 10  
91452 Wilhermsdorf

Tel. +49 91 02 434  
Fax +49 91 02 1386  
Guehring-ge100@guehring.de

[www.guehring.de](http://www.guehring.de)